

# fischer connectors

## ► SS & SSC Series



### Features and Benefits

- New and innovative design
- Lightweight, miniature construction
- Quality, security and reliability
- Push-pull locking system (SS)
- Clic-Loc™ system (SSC), emergency disconnection
- Greater than 5000 mating cycles
- 360° EMC shielding
- Useable for both unsealed or sealed (IP68) applications, depending of the cable attachment
- Intermateable to all Fischer Standard connectors
- Available in black or chrome plated
- Crimp or solder contacts
- Temperature range: -55°C to +135°C

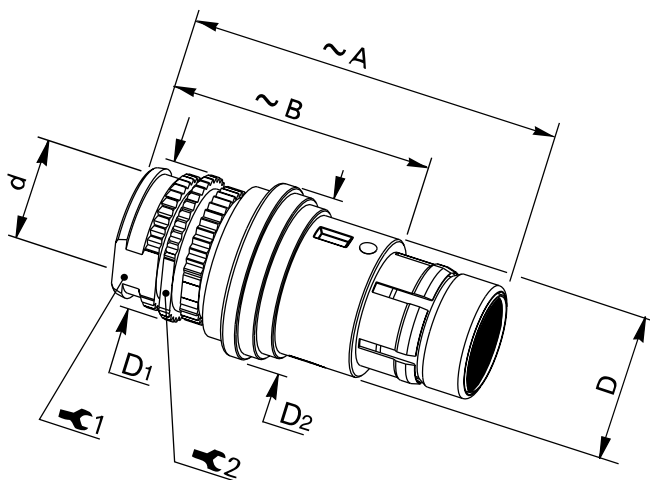
### Caractéristiques et Avantages

- Conception nouvelle et innovatrice
- Miniaturisation et gain de poids
- Qualité, sécurité et fiabilité
- Système de verrouillage push-pull (SS)
- Système de verrouillage Clic-Loc™ (SSC), extraction d'urgence
- Plus de 5000 cycles d'accouplement
- Blindage EMC sur 360°
- Version non étanche ou étanche (IP68), selon le type de terminaison
- Compatible avec la gamme Fischer standard
- Disponible en noir ou chromé mat
- Contacts à sertir ou à souder
- Température d'utilisation: -55°C à 135°C

### Besonderheiten und Vorteile

- Neues innovatives Design
- Kompakte und leichtgewichtige Konzeption
- Qualität, Sicherheit und Zuverlässigkeit
- Push Pull System (SS)
- Clic-Loc™ System (SSC) Notfall Entriegelung
- Mehr als 5000 Steckzyklen
- EMC Abschirmung über 360°
- Einsetzbar für undichte oder dichte (IP68) Anwendungen, je nach Konfektionierung
- Steckkompatibel zu Fischer Standardsteckverbindern
- Lieferbar in Chrom und Schwarz
- Crimp- und Löt-Kontakte
- Temperatur Bereich: -55°C bis +135°C

### SS Short plug SSC Short Clic-Loc™ plug



Series	A	B	D	D <sub>1</sub>	D <sub>2</sub>	d <sub>max</sub>	Y <sub>1</sub>	Y <sub>2</sub>
102	30	20	9	9.5	12	3.8	7	8
103	33	22	12	12.5	15	6	10	11
1031	33	23	12.4	13	15.5	6.2	10	11
104	38	26	15	15.3	18	8	12	13
105	44	29	18	18.4	21	10	15	16
1051	48	33	22.5	22.3	26	12.5	18	19

Assembly instructions on request  
Instructions de montage sur demande  
Montageanleitungen auf Anfrage

# SS & SSC - PRODUCT INFO

Short plug / *Fiche courte* / Kurzer Stecker

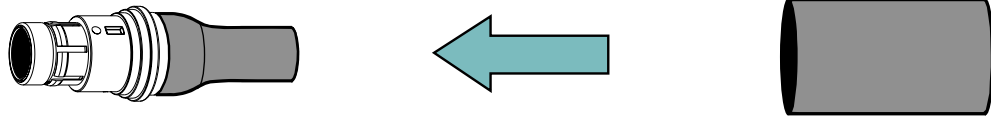
## Cable attachment possibilities:

- Heatshrink or shapes
  - *Manchon thermorétractable ou thermoformé*
  - Schrumpfschlauch oder Form-Schrumpfschlauch
- or  
ou  
oder
- Overmoulding
  - *Surmoulage*
  - Umspritzen

Tables below give some references of various suppliers for heatshrink and shapes.

### Type1: Straight heatshrink tubing

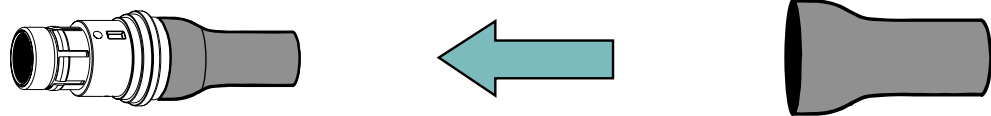
(Adhesive lined)



Series	Raychem tube shrink ratio 3:1 or 4:1	Min. cable sheath diameter
102	ATUM-12/3-0	3
103	ATUM-16/4-0	4
1031		
104		
105	ATUM-24/6-0	6
1051	ATUM-24/6-0	6

### Type2: Straight moulded shapes

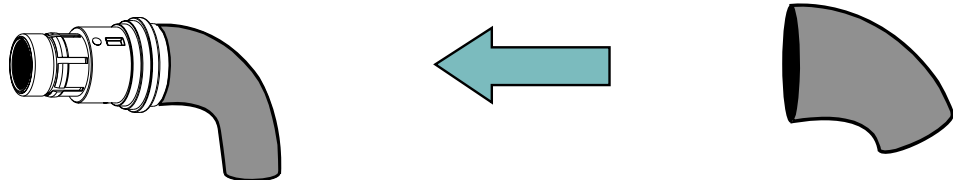
(Adhesive lined)



Series	Hellermann Tyton 100 Series w.lip (MIL style)	Min cable sheath diameter	Raychem 202A Series no lip	Min. cable sheath diameter	Raychem 202D Series strain relief w.lip	Min. cable sheath diameter
102	113-4... (113-4-B7WM250)	2.0	202A111... (202A111-25-225)	3.8	—	—
103	104-4... (104-4-B7WM250)	3.8			202D211... (202D211-25-0)	6.4
1031	105-4... (105-4-B7WM250)	5.6	202A121... (202A121-25-225)	5.3	202D221... (202D221-25-0)	7.4
104						
105						
1051						

### Type3: Right angle shapes

(Adhesive lined)



Series	Hellermann Tyton 1100 Series w.lip (MIL style)	Min. cable sheath diameter	Raychem 222 Series no lip	Min. cable sheath diameter
102	1181-4... (1181-4-B7WM250)	2.0	222A111... (222A111-25-225)	3.8
103	1108-4... (1108-4-B7WM250)	3.8		
1031	1106-4... (1106-4-B7WM250)	5.6	222A121... (222A121-25-225)	5.3
104				
105				
1051				

# fischer

## Sales Network



### Swiss Headquarters

**FISCHER CONNECTORS SA**  
Route de Pampigny 42  
CH-1143 Apples  
Tel. +41 21 800 95 95  
Fax +41 21 800 39 24  
**Appel gratuit: 0 800 800 008**  
[www.fischerconnectors.ch](http://www.fischerconnectors.ch)  
[mail@fischerconnectors.ch](mailto:mail@fischerconnectors.ch)

### • Subsidiaries

#### America: North, Central and South

**FISCHER CONNECTORS Inc.**  
**Atlanta**  
Tel. +1 678 393 5400  
Fax +1 678 393 5401  
**Toll free: 800 551 0121**  
[www.fischerconnectors.com](http://www.fischerconnectors.com)  
[mail@fischerconnectors.com](mailto:mail@fischerconnectors.com)

#### Asia

**FISCHER CONNECTORS ASIA Ltd.**  
**Hong Kong**  
Tel. +852 2268 6837  
Fax +852 2268 6729  
[mail@fischerconnectors.com.hk](mailto:mail@fischerconnectors.com.hk)

### • Representatives

**Australia / New Zealand**  
DKSH Australia (Pty) Ltd.  
3803 Hallam Victoria  
Tel. +61 3 9554 6666  
Fax +61 3 9554 6699  
[electrical@edwardkeller.com.au](mailto:electrical@edwardkeller.com.au)

**Austria**  
FISCHER ELEKTRONIK GmbH  
1130 Wien  
Tel. +43 1 876 6227  
Fax +43 1 876 6227 11  
[online@fischerelektronik.co.at](mailto:online@fischerelektronik.co.at)

**Belgium**  
Ets. MICHEL DECAMP SA  
1420 Braine L'Alleud  
Tel. +32 2 385 0035  
Fax +32 2 385 0368  
[info@decamp.be](mailto:info@decamp.be)

**Denmark**  
ROSENBERGER DANMARK a/s  
3460 Birkerød  
Tel. +45 4582 0740  
Fax +45 4281 0394  
[reception@rosenberger.dk](mailto:reception@rosenberger.dk)

**Finland**  
ARROW FINLAND OY  
02600 Espoo  
Tel. +358 9 476 660  
Fax +358 9 476 663 27  
[stefan.roer@hatteland.com](mailto:stefan.roer@hatteland.com)

**Israel**  
C.V.S. TECHNOLOGIES 1974 Ltd.  
Tel-Aviv 69710  
Tel. +972 3648 7475  
Fax +972 3647 4379  
[sales@cvs.co.il](mailto:sales@cvs.co.il)

**Japan**  
K. TOKIWA & Co. Inc.  
Toshin 24 Ohmori Bldg.  
Ohta-Ku, Tokyo 143  
Tel. +81 3 3766 6701  
Fax +81 3 3766 1300  
[tkw-shoko@k-tokiwa.co.jp](mailto:tkw-shoko@k-tokiwa.co.jp)

**Netherlands**  
AVT Industrial Components  
5657 EE Eindhoven  
Tel. +31 40 20 88 088  
Fax +31 40 20 88 099  
[sales@avtic.com](mailto:sales@avtic.com)

**Norway**  
T&G ELEKTRO A/S  
1321 Stabekk  
Tel. +47 67 129 050  
Fax +47 67 129 060  
[epost@tgelektro.no](mailto:epost@tgelektro.no)

**Singapore**  
COASTAL ELECTRONICS Pte Ltd.  
Singapore 188504  
Tel. +65 6 338 3076  
Fax +65 6 339 5185  
[coastal.elect@pacific.net.sg](mailto:coastal.elect@pacific.net.sg)

**South Africa**  
SUNTRONIKA (Pty) Ltd.  
2001 Braamfontein/Johannesburg  
Tel. +27 11 403 3420  
Fax +27 11 403 4050  
[salesupp@suntronika.com](mailto:salesupp@suntronika.com)

**Spain**  
SUMINISTROS DE CONECTORES  
PROFESIONALES SA  
28022 Madrid  
Tel. +34 91 355 6006  
Fax +34 91 356 9525  
[compras@scp-sa.es](mailto:compras@scp-sa.es)

**Sweden**  
POLAB Elektronik AB  
42750 Billdal  
Tel. +46 31 910 420  
Fax +46 31 912 380  
[info@polab.com](mailto:info@polab.com)

#### France

**FISCHER CONNECTORS Sarl**  
**Paris**  
Tel. +33 1 5578 2578  
Fax +33 1 5578 2575  
**Appel gratuit: 0 800 590 444**  
[www.fischerconnectors.fr](http://www.fischerconnectors.fr)  
[mail@fischerconnectors.fr](mailto:mail@fischerconnectors.fr)

#### Germany and Eastern Europe

**FISCHER CONNECTORS GmbH**  
**Kirchseeon-Eglharting**  
Tel. +49 8091 5583 0  
Fax +49 8091 5583 23  
**Gebührenfrei: 0 800 233 3233**  
[www.fischerconnectors.de](http://www.fischerconnectors.de)  
[mail@fischerconnectors.de](mailto:mail@fischerconnectors.de)

#### Italy

**FISCHER CONNECTORS Srl**  
**Monza**  
Tel. +39 039 321 275  
Fax +39 039 326 766  
[www.fischerconnectors.it](http://www.fischerconnectors.it)  
[mail@fischerconnectors.it](mailto:mail@fischerconnectors.it)

#### United Kingdom, Eire and India

**FISCHER CONNECTORS Ltd.**  
**Havant/Hampshire**  
PO7 7XN  
Tel. +44 2392 459 600  
Fax +44 2392 459 601  
**Toll free: 0 800 279 0001**  
[www.fischerconnectors.co.uk](http://www.fischerconnectors.co.uk)  
[sales@fischerconnectors.co.uk](mailto:sales@fischerconnectors.co.uk)